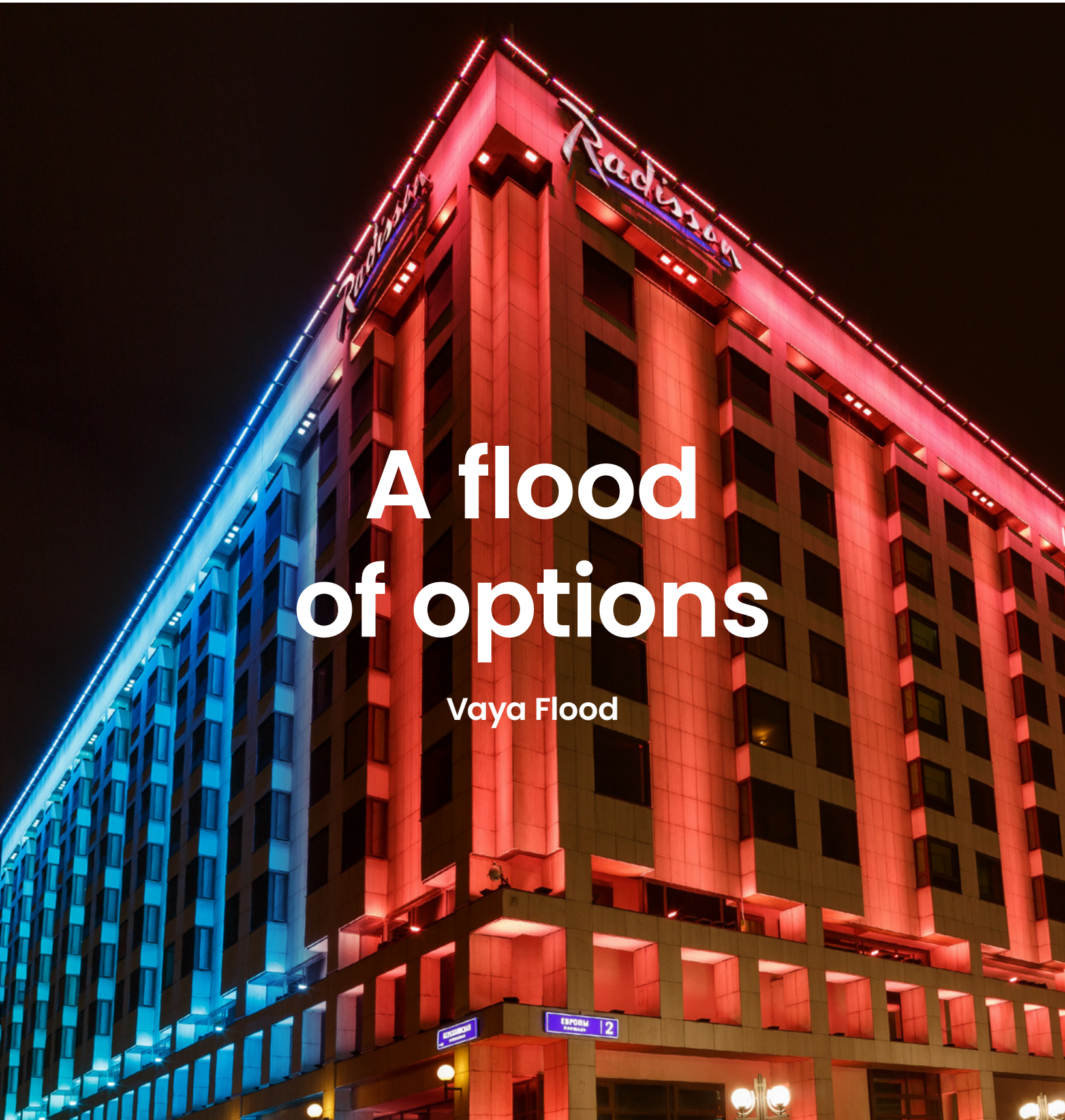


COLORKINETICS
vaya series

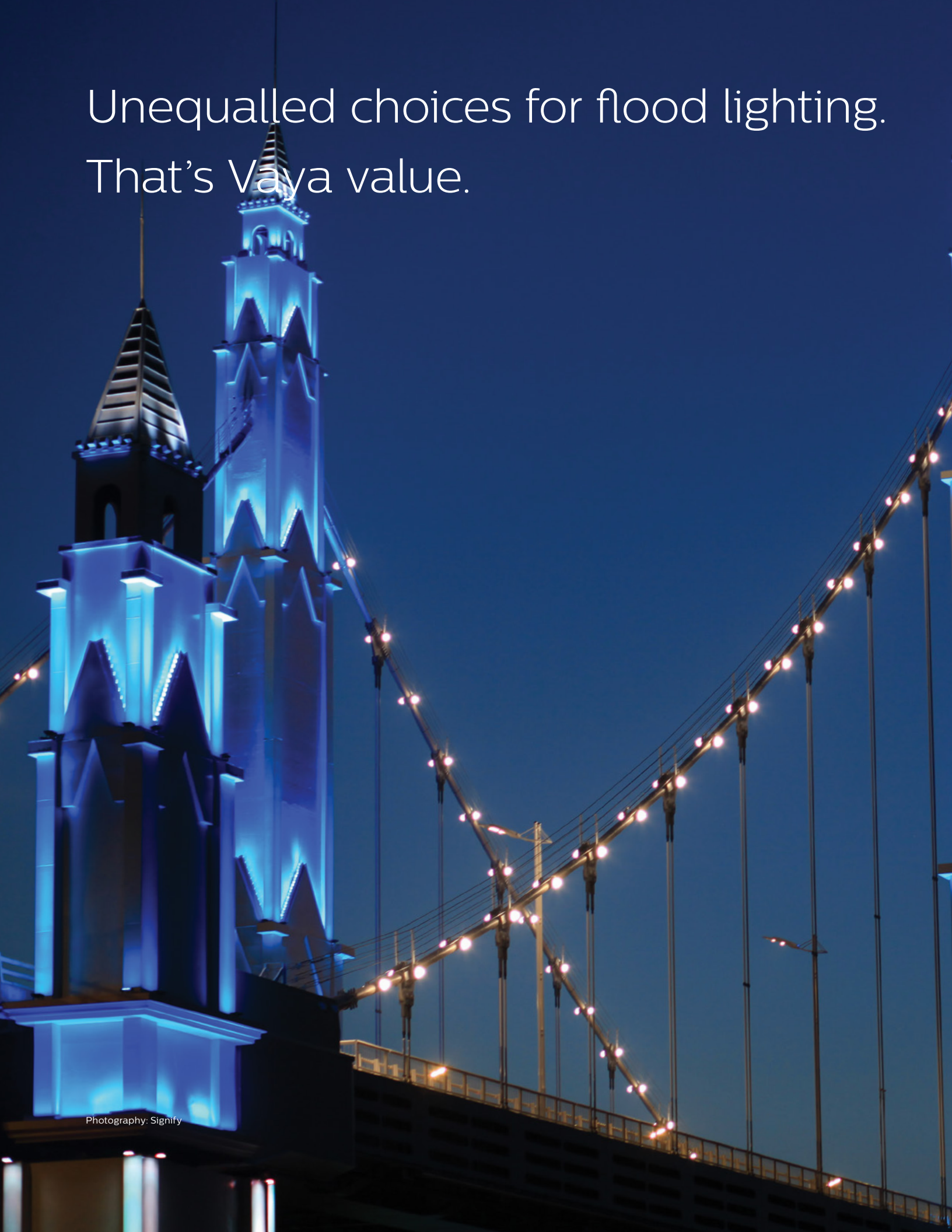


A flood of options

Vaya Flood



Unequaled choices for flood lighting.
That's Vaya value.





Introduction

2

Meet Vaya Flood

4

Why Vaya Flood?

6

Exploring Vaya Flood

8

A Closer Look at Vaya Flood

12

Showcase

14

Flood HP Specifications

20

Flood MP & LP Specifications

22

Vaya Flood delivers
**stunning flood
lighting** and so
much more

Photography: SZETI-Vill Kft.





Versatility, high performance, reliability—and that's just the beginning

Flood lighting might be the world's most popular lighting application, since it covers such a wide range of exteriors and interiors with smooth, bright white or color light. From office buildings to monuments to atriums, flood lighting covers a lot of ground (or more accurately, surfaces). That's why the Vaya Flood family includes so many options for creating high-impact, eye-catching flood lighting, as well as wall washing and spot lighting effects.

Vaya brings high-quality, affordable exterior and interior LED lighting solutions to customers and sites throughout the world. Our full family of popular luminaires includes a wide range of choices, from traditional flood lighting and grazing to direct-view lighting. No matter what Vaya luminaire you choose, you get great lighting and proven reliability.

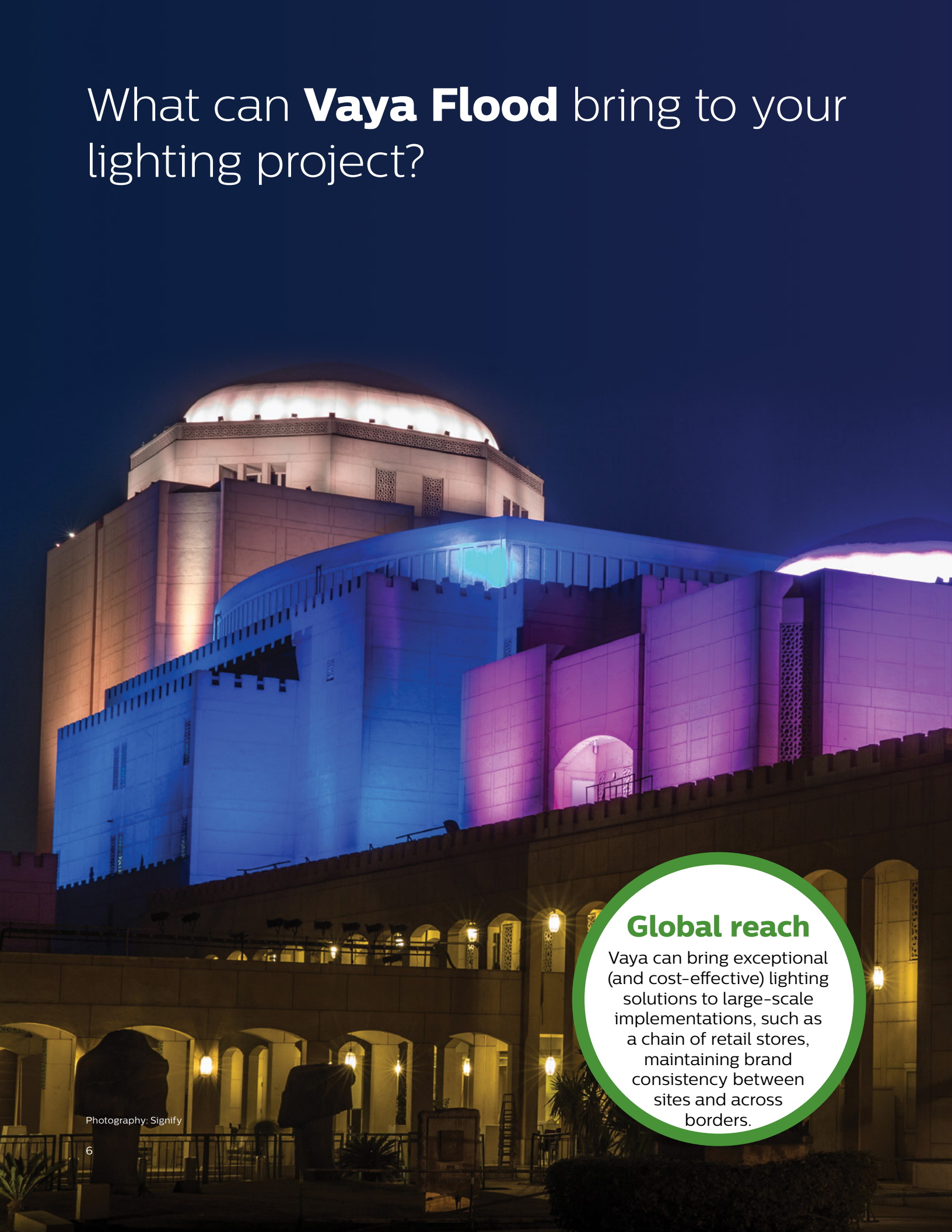
Vaya Flood means versatility

Vaya Flood gives you unequalled choices for flood lighting. You can choose impressive, saturated mono color (red, green, blue, or amber) or stunning dynamic RGB color light. Or if your application calls for white light, we offer four different shades, from cool to warm, that let you set the right ambiance and create dramatic contrast.

But the choices don't end there. Vaya Flood luminaires are available in three power levels that give you right-sized output and punch, without paying for more than you need. And no matter what luminaire you choose, you can select the beam angle that works best for your specific installation, from narrow to open. All in a compact, lightweight, rugged luminaire that has passed the toughest test of all—continuous, trouble-free operation at hundreds of diverse sites around the world.

Looking for a compact LED flood lighting solution that delivers a powerful punch at the right price? That's Vaya value. That's Vaya Flood.

What can **Vaya Flood** bring to your lighting project?



Global reach

Vaya can bring exceptional (and cost-effective) lighting solutions to large-scale implementations, such as a chain of retail stores, maintaining brand consistency between sites and across borders.

Photography: Signify



Vaya Flood is designed to deliver the capabilities you need, in a cost-effective, reliable LED lighting solution. That's the Vaya approach. But it's just the beginning of the benefits that Vaya Flood offers.

Power and punch

Vaya Flood delivers powerful punch in a small form factor that can throw light with 10lx up to 100 m high (1fc up to 328 feet) —with Vaya Flood HP. Choose the type of light, power level, and beam angle that meet your needs—from Vaya Flood LP (low power) to Vaya Flood MP (medium power) to Vaya Flood HP (high power).

Easy installation

Direct line voltage input makes it simple to install Vaya Flood luminaires, since there is no need for remote power supplies.

Reliability

Vaya Flood luminaires feature an extremely durable form factor, rigorously tested for maximum reliability under all conditions—including harsh outdoor environments. We stand behind our Vaya Flood luminaires with a generous, multi-year warranty.

Complete solution

Vaya Flood luminaires integrate seamlessly with other Vaya luminaires and controllers—as well as with third-party lighting solutions.

High efficiency

Unlike traditional general outdoor lighting, such as incandescent or metal halide fixtures, advanced Vaya Flood LED lighting solutions are efficacious, delivering 90+ lumens per watt. We stay at the forefront of LED technology to maximize the critical measurement of efficacy—lumens per watt.

Color consistency

Thanks to careful engineering, consistently rigorous binning, and meticulous manufacturing, Vaya achieves high color consistency of 3 MacAdam ellipses (3SDCM) across all Vaya Flood luminaires.

Choice of beam angles

Beam angle options—10°, 20°, 40°, and open beam—give you precise control, letting you tailor light distribution to meet your needs—while reducing spill light.

Compact size and light weight

Vaya Flood luminaires are powerful but compact, ensuring that they can fit invisibly into diverse lighting installations—even when space is tight.

Trouble-free operation

Vaya Flood is a proven solution with hundreds of trouble-free implementations and satisfied customers around the world. Its exceptional reliability and maintainability go far above traditional flood lights, which can require frequent adjustment or replacement.

A clear vision of the future

Vaya is driven by, and responsive to, the evolving needs of the marketplace, continuously adding new capabilities and innovations to the Vaya Flood family and the rest of our extensive portfolio of lighting solutions.

These compelling benefits and more are inspiring lighting designers as a key element in their designs, enhancing the beauty and visibility of properties around the world. And they're encouraging building owners to upgrade their flood lighting, adding new capabilities while reducing costs. That's just one reason why so many lighting professionals choose the versatile Vaya Flood family for exceptional color and white flood lighting.

Choose the **power and performance** that's right for *your* installation.

With Vaya Flood, you can choose the type of light, power level, and beam angle that you need—while getting the core qualities of flexibility, simple installation, and long-term reliability. Here we explore the Vaya Flood family—Vaya Flood HP, Vaya Flood MP, and Vaya Flood LP.

Each Vaya Flood luminaire is designed to illuminate an escalating scale of architecture, from small with Vaya Flood LP to large with Vaya Flood HP (up to 40 m+, depending on setback). So you can be sure there's a Vaya Flood luminaire that's right for you.



Vaya Flood HP

Illuminate larger/taller exteriors

What it does best.

The high-power member of the Vaya Flood Family, Vaya Flood HP outputs 10lx at 100 m (1fc at 328 ft), making it the right choice for large-scale exterior façades, bridges, monuments, and other structures—including spot lighting, wall washing, and flood lighting. The beams of Vaya Flood HP can accentuate high elements—from 40 m+ for narrower beams to 18 m for the wider beams.

What you need to know.

Like all Vaya luminaires, Vaya Flood HP is a reliable and cost-effective LED luminaire that offers many options, enabling you to get exactly the light you need. It's available in different light color configurations—including white (2700 K*, 3000 K, 4000 K, or 5000 K*), mono-color* (red, green, blue, or amber), and RGB for dynamic color effects. It's available in 10° and 20° beam angles, which let it deliver light further, and 40° and open beam options are also available to cover more surface area.



RGB



White



Solid Color

	RGB	White	Solid Color
Output	RGB	2700 K*, 3000 K, 4000 K, or 5000 K*	Red, Green, Blue, or Amber
Lumens	3,335 to 3,660	8,437 to 10,118	—
Beam angles	10°, 20°, 40°, Open Beam		
Environment	IP66 Dry/Damp/Wet Location, IK06		
Housing material	Die-cast aluminium, dark grey powder-coated finish		
Lens	Clear tempered glass		

* Built to order. All other options are standard configurations.

Get the Right Angle

With four beam angles to choose from, you can light a wide range of details and spaces.

Select the angle that's right for your application:

10° Long-throw front lighting.

Very narrow architectural elements from 5 meters (Vaya Flood LP) to 40 meters (Vaya Flood HP) require the focused beam created with our 10° option.

20° Front lighting.

Less narrow architectural elements from 4 meters to 30 meters are best illuminated with our 20° option.

40° Grids and structures.

Our 40° option covers walls and façades up to 30 meters with beautiful, saturated light.

OPEN Cove and fill lighting.

An open beam is the right choice for lighting vaults, arches, and other defined/semi-enclosed spaces.

Accentuate a wide range of details.

The beam angle options available with the Vaya Flood family let you create accents of light that emphasize various architectural elements. For example, the narrow beams perfectly underline a narrow element such as a pillar, a column or a tree trunk. Wider beams are better for illuminating larger elements such as windows, arches, sculptures—and will reveal volume, such as the foliage of a tree.



Vaya Flood MP

Designed for mid-sized façades and architectural details

What it does best.

The middle member of the family, Vaya Flood MP accentuates relatively high elements—from 30 m for narrower beams to 14 m for wider beams. Vaya Flood MP outputs 10lx at 80 m (1fc at 265 ft). It's the right choice for spot lighting, flood lighting, and wall washing mid-range façades.

What you need to know.

Vaya Flood MP is available different light color configurations—including white (2700 K*, 3000 K, 4000 K, or 5000 K*), mono-color* (red, green, blue, or amber), and RGB for dynamic color effects. It's available in 20° and 40° beam angles, and 10° and open beam options are also available*.



RGB



White



Solid Color

	RGB	White	Solid Color
Output	RGB	2700 K*, 3000 K, 4000 K, or 5000 K*	Red, Green, Blue, or Amber
Lumens	2,395 to 2,603	5,180 to 6,312	—
Beam angles	10°, 20°, 40°, Open Beam		
Environment	IP66 Dry/Damp/Wet Location, IK07		
Housing material	Die-cast aluminium, dark grey powder-coated finish		
Lens	Clear tempered glass		

* Built to order. All other options are standard configurations.



Vaya Flood LP

Flood, wash, and accent lighting of exterior—and interior—columns

What it does best.

Vaya Flood LP is a reliable, cost-effective LED flood lighting solution for interior and exterior use—one that minimizes your initial investment, while enabling you to create eye-catching flood, wash and accent lighting effects. A wide choice of beam angles and color options lets you bring a site to life with either static or dynamically changing colors.

Vaya Flood LP, Landscape features an integrated landscape mount, enabling it to serve as a reliable and cost-effective landscape luminaire.

What you need to know.

Vaya Flood LP is available different light color configurations—including white (2700 K*, 3000 K, 4000 K, or 5000 K*), mono-color* (red, green, blue, or amber), and RGB for dynamic color effects. Standard beam angles are 20° and 40°, and 10° and open beam options are also available*.



RGB



White



Solid Color

	RGB	White	Solid Color
Output	RGB	2700 K*, 3000 K, 4000 K, or 5000 K*	Red, Green, Blue, or Amber
Lumens	1,344 to 1,542	3,123 to 3,797	—
Beam angles	10°, 20°, 40°, Open Beam		
Environment	IP66 Dry/Damp/Wet Location, IK07		
Housing material	Die-cast aluminium, dark grey powder-coated finish		
Lens	Clear tempered glass		

* Built to order. All other options are standard configurations.

A closer look at **Vaya Flood**

Water Protection.

Special drain holes on the tempered-glass bezel channel water away from the luminaire.



CCT and Color Options.

Get the right white light 2700 K, 3000 K, 4000 K, 5000 K, or RGB color.

Simple Wiring.

Direct line voltage input—100-240 VAC/ 277 VAC (varying by model)—keeps wiring simple and reliable, speeding installation.

Multiple Beam Angles.

10°, 20°, 40°, and Open Beam



Compact and Light.

We designed Vaya Flood to be easy to install on a wide range of buildings and structures.



Robust Design.

An anodized aluminium housing, IP66 outdoor rating, and IK06/IK07 approval ensure that all Vaya Flood luminaires are protected against harsh outdoor conditions, including moisture, corrosion, and vibration.

What makes Vaya Flood so Popular?

Consistent light throw and high efficacy set this compact and robust luminaire apart, while its integrated power and adjustable tilt angle make it versatile and easy to use.

Color Consistency.

Achieve consistency of 3 MacAdam ellipses, the level of consistency needed for mainstream lighting applications.

Optional Dimming.

On-Off or DMX-512 control (available separately) allows for dimming and dynamic control of white light with industry standard protocols, letting you adjust light levels to suit varying needs and environmental requirements.

Equalization Vents.

All Vaya Flood luminaires include a special vent that equalizes the internal pressure inside the luminaire—think of it as *letting the luminaire breathe*. This vent keeps humidity and moisture out, and ensures optimal operation under all conditions.

Vaya Flood Showcase

Example 1 Generating New Attention for a 28-story Office Tower

Vaya LED lighting solutions—featuring Vaya Flood LP—transformed an understated office tower into a glowing, high-visibility color landmark. The building features a distinctive design feature—unique triangular protrusions, which extend from each side of the building. To draw attention to this feature at night, Vaya Flood luminaires fill the triangular spaces with bright, dynamic color light—which can be adjusted to display different lighting themes and designs. Vaya Flood also highlights the arches at the rear of the building. With Vaya lighting solutions, Centre Point stands out from adjacent buildings and gets more attention.



Photography: Signify

Product

Vaya Flood LP RGB, 40° illuminating the triangular protrusions.

Example 2 Creating a Powerful Experience for Sports Fans

This state-of-the-art stadium uses innovative LED lighting to attract attention from a distance and keep dedicated fans thrilled after they're in the stadium. Dynamic LED lighting on the façade lets the home team's colors illuminate the exterior of the stadium. And inside, Vaya Flood HP luminaires deliver thrilling lighting—with up to 16.7 million colors—to the stadium's suspended canopy. Interior and exterior lighting can be coordinated to create half-time shows where the stadium pulses with light, inside and out.



Photography: Signify

Product

Vaya Flood HP RGB, 20°, 40°, and Open Beam illuminating the canopy.

Vaya Flood Showcase

Example 3 Extending Daytime Grandeur into a Nighttime Symbol

Illuminating a spiritual symbol—and the fourth largest mosque in Turkey—requires a broad vision, subtle lighting, and attention to detail. Vaya Flood luminaires bring dynamic color LED light to the stunning architectural details of the building—including pillars, columns, archway vaults, and more. The minarets are illuminated by Vaya Flood LP gen2, White and Mono luminaires—which create warm white light. The combination of carefully selected color lighting and white light creates a beautiful atmosphere at night—and a sophisticated symbol of the city.



Photography: Signify

Product

Vaya Flood HP 2700 K, Open Beam illuminating the main archway vaults
Vaya Flood MP 2700 K, Open Beam illuminating the pillars
Vaya Flood MP 2700 K, 10° washing and grazing the pillars
Vaya Flood LP G2 RGB, 10° illuminating the front columns

Example 4 Transforming a Bridge with Light That's Triggered by Trains

A railway bridge is a utilitarian urban feature that usually goes unnoticed. Not Zagreb Croatia's Hendrix Bridge. Innovative LED lighting transforms the bridge with a spectacular LED light show triggered by the trains passing over it. Sensors detect approaching trains and trigger the control system, sending bright light traveling the length of the bridge. Vaya lighting solutions—including Vaya Flood MP G2 RGB luminaires—provide the dynamic, vivid color light that makes the bridge really stand out at night.



Photography: Signify

Product

Vaya Flood MP G2 RGB

Vaya Flood Showcase

Example 5 Turning a TV Tower into a Rocket

Television towers are not known for their beauty. But an innovative lighting solution—featuring Vaya Flood luminaires—transforms a tall TV tower into what appears to be a rocket taking flight. Dynamic color and motion provide thrilling light shows that create a distinctly different urban landmark—and a unique, resonant experience for citizens and visitors. All while bringing new cost-efficiency and reliability to the tower, previously illuminated by conventional lighting.



Photography: Signify

Product

Vaya Flood LP G2 RGB and Vaya Flood MP RGB illuminating the top of the tower

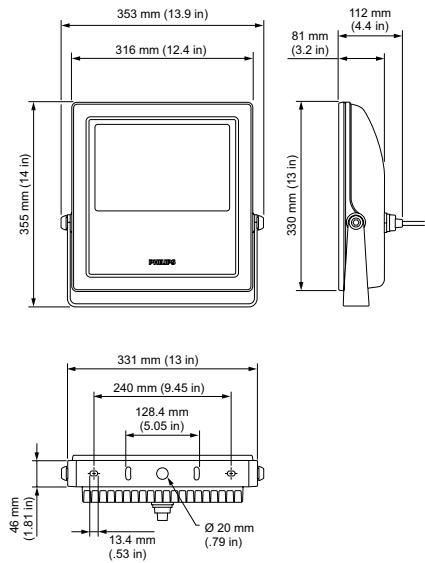
Vaya Flood HP Specifications

		Lumens	Efficacy lm/w	CRI	Power
Vaya Flood HP, RGB	10°	3,660	-	-	105 W
	20°	3,335	-	-	105 W
	40°	3,401	-	-	105 W
Vaya Flood HP, White, 3000 K	10°	9,296	90.7	80	100 W
	20°	9,317	90.3	80	100 W
	40°	8,437	82.7	80	100 W
	Open Beam	7,908	78.6	-	100 W
Vaya Flood HP, White, 4000 K	10°	10,117	98.2	82	100 W
	20°	10,118	98.9	82	100 W
	40°	8,932	87.3	82	100 W
	Open Beam	8,498	83.7	-	100 W

General Information

Beam Angles	10°, 20°, 40°, Open Beam	
Housing Material	Die-cast aluminium, dark grey powder-coated finish	
Lens	Clear tempered glass	
Mechanical Impact	IK06	
Approbations	UL/cUL, FCC Class A, CE, CQC, PSE, RCM	
Environment	Dry/Damp/Wet Location, IP66	
Input Voltage	100 to 277 VAC, 50/60 Hz RGB, White or Mono 220 to 240 VAC, 50/60 Hz White or Mono	
Weight	7.5 kg (16.5 lb) RGB	7.75 kg (17 lb) White or Mono
Dimensions		
<i>Including mounting hinge</i>	355 x 353 x 108 mm (14 x 13.9 x 4 in)	
<i>Excluding mounting hinge</i>	330 x 316 x 81 mm (13 x 12.4 x 3 in)	

Dimensions



Accessories

A wide range of accessory options lets you customize Vaya Flood.

Vaya Flood HP

	Item Number	Signify 12NC
DMX Splitter & Booster (RDM-6 Wall)	303-000002-00	910503704250
SmartJack Pro	103-000024-00	910503700582
Multi-Protocol Converter	104-000015-00	910503701414
Multi-Protocol Converter 8	104-000018-00	912400136052

For further information

Complete details of every family including part numbers, installation instructions, specification sheets, .ies files, and product drawings can be found on the respective product pages.



[Vaya Flood HP RGB](#)



[Vaya Flood HP White & Mono](#)

If you don't see what you need a wide range of custom configurations are available. See the Custom Ordering Guides on the respective product page for more information.

Vaya Flood MP, LP Specifications

		Lumens	Efficacy lm/w	CRI	Power
Vaya Flood MP G2, RGB	10°	2,602	-	-	72 W
	20°	2,567	-	-	72 W
	40°	2,395	-	-	72 W
White, 3000 K	10°	5,773	84.6	80	68 W
	20°	5,660	83.5	80	68 W
	40°	5,180	76.3	80	68 W
	Open Beam	4,873	73.9	-	68 W
White, 4000 K	10°	6,312	93.3	82	68 W
	20°	6,150	90.8	82	68 W
	40°	5,634	83.3	82	68 W
	Open Beam	5,234	77	-	68 W
Vaya Flood LP G2, RGB	10°	1,542	-	-	45 W
	20°	1,344	-	-	45 W
	40°	1,400	-	-	45 W
White, 3000 K <i>Including Landscape</i>	10°	3,483	81.4	82	44 W
	20°	3,357	79.7	82	44 W
	40°	3,123	73	82	44 W
	Open Beam	2,666	61.7	-	44 W
White, 4000 K <i>Including Landscape</i>	10°	3,797	87.9	82	44 W
	20°	3,688	87.9	82	44 W
	40°	3,387	85.7	82	44 W
	Open Beam	2,870	68	-	44 W

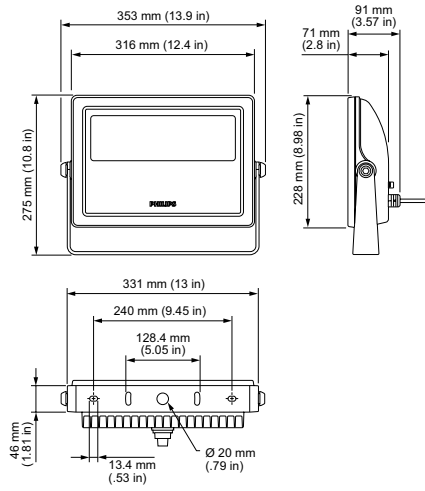
General Information

Beam Angles	10°, 20°, 40°, Open Beam
Housing Material	Die-cast aluminium, dark grey powder-coated finish
Lens	Clear tempered glass
Mechanical Impact	IK07
Approbations	UL/cUL, FCC Class A, CE, CQC, PSE, RCM
Environment	Dry/Damp/Wet Location, IP66

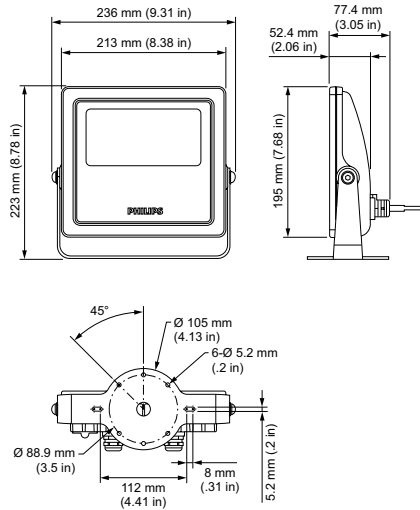
	Vaya Flood MP G2	Vaya Flood LP G2	LP G2 Landscape
Input Voltage	100 to 240 VAC, 50/60 Hz RGB 100 to 277 VAC, 50/60 Hz White or Mono 120 to 277 VAC, 50/60 Hz White or Mono 220 to 240 VAC, 50/60 Hz White or Mono	100 to 240 VAC, 50/60 Hz	
Weight	5.75 kg (12.7 lb)	3.5 kg (7.8 lb)	3.16 kg (6.9 lb)
Dimensions			
<i>Including mounting hinge</i>	275 x 353 x 91 mm (11 x 13.9 x 4 in)	223 x 236 x 105 mm (9 x 9.3 x 4 in)	260 x 213 x 77.4 mm (10.23 x 8.39 x 3.05 in)
<i>Excluding mounting hinge</i>	228 x 316 x 71 mm (9 x 12.4 x 3 in)	195 x 213 x 52 mm (8 x 8.4 x 2 in)	

Dimensions

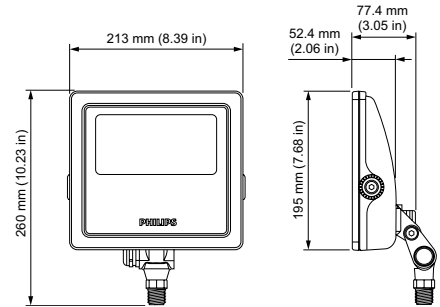
Vaya Flood MP



Vaya Flood LP



Vaya Flood LP Landscape



Accessories

A wide range of accessory options lets you customize Vaya Flood.

Vaya Flood MP, LP

	Item Number	Signify 12NC
DMX Splitter & Booster (RDM-6 Wall)	303-000002-00	910503704250
SmartJack Pro	103-000024-00	910503700582
Multi-Protocol Converter	104-000015-00	910503701414
Multi-Protocol Converter 8	104-000018-00	912400136052
Vaya Flood LP Mounting Arm, Short, Gray	120-000201-03	912400135843
Vaya Flood LP Mounting Arm, Medium, Gray	120-000201-04	912400135844
Vaya Flood LP Mounting Arm, Long, Gray	120-000201-05	912400135845

For further information

Complete details of every family including part numbers, installation instructions, specification sheets, .ies files, and product drawings can be found on the respective product pages.



[Vaya Flood MP G2, RGB](#)



[Vaya Flood MP G2, White & Mono](#)



[Vaya Flood LP G2, RGB](#)



[Vaya Flood LP G2, White & Mono](#)



[Vaya Flood LP G2, Landscape](#)

If you don't see what you need a wide range of custom configurations are available. See the Custom Ordering Guides on the respective product page for more information.

© 2019 Signify Holding. All rights reserved. The information provided herein is subject to change, without notice. Signify does not give any representation or warranty as to the accuracy or completeness of the information included herein and shall not be liable for any action in reliance thereon. The information presented in this document is not intended as any commercial offer and does not form part of any quotation or contract, unless otherwise agreed by Signify.

All trademarks are owned by Signify Holding or their respective owners.
DAS-000241-00 R01 01-19

COLOR KINETICS
vaya series